

CESAB R300 1.4 - 2.5 tonne

Reach Trucks



Truck Specifications



CESAB R314 - R316 Truck Specifications

| CHARACTERISTICS | | | | |
|------------------|---|----------------------|-----------------------|---------------------|
| 1.1 | Manufacturer | | CESAB | CESAB |
| 1.2 | Model | | R314 | R316 |
| 1.3 | Drive | | Electric | Electric |
| 1.4 | Operator type | | Seated | Seated |
| 1.5 | Load capacity/rated load | Q [kg] | 1400 | 1600 |
| 1.6 | Load centre | c [mm] | 600 | 600 |
| 1.8 | Load distance, centre of support arm wheel to face of forks | x [mm] | 310* | 394* |
| 1.9 | Wheelbase | y [mm] | 1311 | 1395 |
| WEIGHT | | | | |
| 2.1 | Service weight including battery | [kg] | 3390 | 3398 |
| 2.3 | Axle load, mast retracted without load, drive/support arm wheel | [kg] | 2067/1323 | 2123/1274 |
| 2.4 | Axle load, mast extended with load, drive/support arm wheel | [kg] | 667/4123 | 607/4390 |
| 2.5 | Axle load, mast retracted with load, drive/support arm wheel | [kg] | 1758/3032 | 1887/3110 |
| WHEELS | | | | |
| 3.1 | Drive/support arm wheel | [mm] | Vulkollan | Vulkollan |
| 3.2 | Wheel size, front | [mm] | 350x140 | 350x140 |
| 3.3 | Wheel size, rear | [mm] | 300x106 | 300x106 |
| 3.5 | Wheels, number front/rear (x=driven wheels) | | 1x/2 | 1x/2 |
| 3.7 | Track width, rear | b ₁₁ [mm] | 1134 | 1134 |
| DIMENSIONS | | | | |
| 4.1 | Tilt of fork, forward/backward | α/β [deg] | -2°/4** | -2°/4** |
| 4.2 | Height, mast lowered | h ₁ [mm] | 2887* | 2887* |
| 4.3 | Free lift | h ₂ [mm] | 2403* | 2403* |
| 4.4 | Lift | h ₃ [mm] | 6945* | 6945* |
| | Lift height | h ₂₃ [mm] | 7000* | 7000* |
| 4.5 | Height, mast extended | h ₄ [mm] | 7540* | 7540* |
| 4.7 | Height of overhead guard (cab) | h ₆ [mm] | 2198 | 2198 |
| 4.8 | Seat height | h ₇ [mm] | 1136 | 1136 |
| 4.10 | Height of support arms | h ₈ [mm] | 268 | 268 |
| 4.15 | Height of lowered forks | h ₁₃ [mm] | 55 | 55 |
| 4.19 | Overall length | l ₁ [mm] | 2413 | 2413 |
| 4.20 | Length to face of forks | l ₂ [mm] | 1263 | 1263 |
| 4.21 | Overall width | b ₁ [mm] | 1270 | 1270 |
| 4.22 | Fork dimensions | s/e/l [mm] | 40/100/1150* | 40/100/1150* |
| 4.23 | Fork carriage ISO 2328, class/type A, B | | II A | II A |
| 4.24 | Fork carriage width | b ₃ [mm] | 819 | 819 |
| 4.25 | Width over forks | b ₅ [mm] | 252-698 | 252-698 |
| 4.26 | Distance between support arms | b ₄ [mm] | 900* | 900* |
| 4.28 | Reach distance | l ₄ [mm] | 506* | 590* |
| 4.31 | Ground clearance, with load, below mast | m ₁ [mm] | 68 | 68 |
| 4.32 | Ground clearance, centre of wheelbase ²⁾ | m ₂ [mm] | 74 | 74 |
| 4.33 | Aisle width for pallets 1000 x 1200 crossways | A _{st} [mm] | 2687 | 2710 |
| 4.34 | Aisle width for pallets 800 x 1200 lengthways | A _{st} [mm] | 2749 | 2757 |
| 4.35 | Turning radius | W _a [mm] | 1573 | 1657 |
| 4.37 | Length across support arms | l ₇ [mm] | 1744 | 1828 |
| PERFORMANCE DATA | | | | |
| 5.1 | Travel speed, with/without load | [km/h] | 10,3/11 ¹⁾ | 10/11 ¹⁾ |
| 5.2 | Lift speed, with/without load | [m/s] | 0,38/0,68 | 0,36/0,68 |
| | Lift speed, with/without load (High speed version) | [m/s] | - - - | 0,50/0,68 |
| 5.3 | Lowering speed, with/without load | [m/s] | 0,55/0,59 | 0,55/0,59 |
| 5.4 | Reach speed, with/without load | [m/s] | 0,20/0,28 | 0,20/0,28 |
| 5.8 | Max. gradeability, with/without load ³⁾ | [%] | 10/15 | 10/15 |
| 5.9 | Acceleration time with/without load (over 10 m) | [s] | 5,4/4,9 | 5,5/4,9 |
| 5.10 | Service brake | | Electric | Electric |
| ELECTRIC MOTOR | | | | |
| 6.1 | Drive motor rating S2 60 min | [kW] | 7.5 | 7.5 |
| 6.2 | Lift motor rating S3 15% | [kW] | 11 | 11 |
| | Lift motor rating S3 15% (High speed version) | [kW] | 15 | 15 |
| 6.4 | Battery voltage, nominal capacity K5 | [V/Ah] | 48/465* | 48/465* |
| 6.5 | Battery weight | [kg] | 685* | 685* |
| 6.6 | Energy consumption acc to VDI cycle ³⁾ | [kWh/h] | 3.4 | 3.7 |
| 6.7 | Turnover output | [t/h] | 56 | 66 |
| 6.8 | Energy consumption at turnover output | [kWh/h] | 3.2 | 3.3 |
| OTHER | | | | |
| 8.1 | Type of drive control | | Variable AC | Variable AC |
| 8.4 | Sound level at the driver's ear according to EN 12 053 | [dB(A)] | 66 | 66 |

1) 11/11 km/h with support wheel brakes 2) 15 mm under studs 3) Measured according to company standard *) Other alternatives are available
All data are based on table configuration. Other configurations may give other values. Truck performance and dimensions are nominal and subject to tolerances. Products and specifications are subject to change without notice.



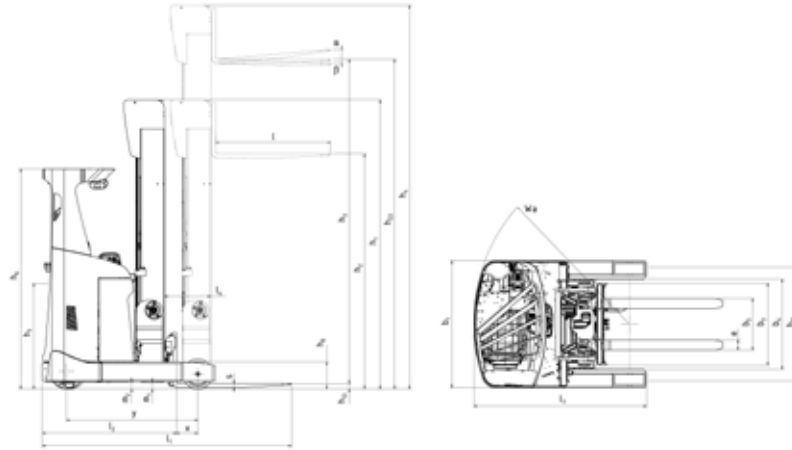
CESAB R318 - R325 Truck Specifications

| CHARACTERISTICS | | | | | |
|------------------|---|----------------------|--------------|--------------|--------------|
| 1.1 | Manufacturer | | CESAB | CESAB | CESAB |
| 1.2 | Model | | R318 | R320 | R325 |
| 1.3 | Drive | | Electric | Electric | Electric |
| 1.4 | Operator type | | Seated | Seated | Seated |
| 1.5 | Load capacity/rated load | Q [kg] | 1800 | 2000 | 2500 |
| 1.6 | Load centre | c [mm] | 600 | 600 | 600 |
| 1.8 | Load distance, centre of support arm wheel to face of forks | x [mm] | 373* | 433* | 388* |
| 1.9 | Wheelbase | y [mm] | 1455 | 1515 | 1575 |
| WEIGHT | | | | | |
| 2.1 | Service weight including battery | [kg] | 3908 | 4091 | 4614 |
| 2.3 | Axle load, mast retracted without load, drive/support arm wheel | [kg] | 2357/1551 | 2510/1581 | 2702/1912 |
| 2.4 | Axle load, mast extended with load, drive/support arm wheel | [kg] | 717/4991 | 764/5327 | 721/6392 |
| 2.5 | Axle load, mast retracted with load, drive/support arm wheel | [kg] | 2054/3655 | 2266/3825 | 2339/4775 |
| WHEELS | | | | | |
| 3.1 | Drive/support arm wheel | [mm] | Vulkollan | Vulkollan | Vulkollan |
| 3.2 | Wheel size, front | [mm] | 400x160 | 400x160 | 400x160 |
| 3.3 | Wheel size, rear | [mm] | 350x106 | 350x106 | 350x106 |
| 3.5 | Wheels, number front/rear (x=driven wheels) | | 1x/2 | 1x/2 | 1x/2 |
| 3.7 | Track width, rear | b ₁₁ [mm] | 1134 | 1134 | 1134 |
| DIMENSIONS | | | | | |
| 4.1 | Tilt of fork, forward/backward | α/β [deg] | -2°/4°* | -2°/4°* | -2°/4°* |
| 4.2 | Height, mast lowered | h ₁ [mm] | 2966* | 2966* | 2936* |
| 4.3 | Free lift | h ₂ [mm] | 2459* | 2459* | 2449* |
| 4.4 | Lift | h ₃ [mm] | 6945* | 6945* | 6945* |
| | Lift height | h ₂₃ [mm] | 7000* | 7000* | 7000* |
| 4.5 | Height, mast extended | h ₄ [mm] | 7548* | 7548* | 7548* |
| 4.7 | Height of overhead guard (cab) | h ₆ [mm] | 2261 | 2261 | 2261 |
| 4.8 | Seat height | h ₇ [mm] | 1198 | 1198 | 1198 |
| 4.10 | Height of support arms | h ₈ [mm] | 330 | 330 | 330 |
| 4.15 | Height of lowered forks | h ₁₃ [mm] | 55 | 55 | 55 |
| 4.19 | Overall length | l ₁ [mm] | 2494 | 2494 | 2599 |
| 4.20 | Length to face of forks | l ₂ [mm] | 1344 | 1344 | 1449 |
| 4.21 | Overall width | b ₁ [mm] | 1270 | 1270 | 1270 |
| 4.22 | Fork dimensions | s/e/l [mm] | 40/120/1150* | 40/120/1150* | 45/120/1150* |
| 4.23 | Fork carriage ISO 2328, class/type A, B | | II A | II A | II A |
| 4.24 | Fork carriage width | b ₃ [mm] | 819 | 819 | 819 |
| 4.25 | Width over forks | b ₅ [mm] | 272-718 | 272-718 | 277-723 |
| 4.26 | Distance between support arms | b ₄ [mm] | 900* | 900* | 900* |
| 4.28 | Reach distance | l ₄ [mm] | 594* | 654* | 609* |
| 4.31 | Ground clearance, with load, below mast | m ₁ [mm] | 68 | 68 | 68 |
| 4.32 | Ground clearance, centre of wheelbase ¹⁾ | m ₂ [mm] | 74 | 74 | 74 |
| 4.33 | Aisle width for pallets 1000 x 1200 crossways | A _{st} [mm] | 2785 | 2802 | 2894 |
| 4.34 | Aisle width for pallets 800 x 1200 lengthways | A _{st} [mm] | 2836 | 2842 | 2942 |
| 4.35 | Turning radius | W _a [mm] | 1717 | 1777 | 1837 |
| 4.37 | Length across support arms | l ₇ [mm] | 1913 | 1973 | 2033 |
| PERFORMANCE DATA | | | | | |
| 5.1 | Travel speed, with/without load | [km/h] | 11/11 | 11/11 | 11/11 |
| 5.2 | Lift speed, with/without load | [m/s] | ... | ... | ... |
| | Lift speed, with/without load (High speed version) | [m/s] | 0,46/0,86 | 0,43/0,68 | 0,37/0,64 |
| 5.3 | Lowering speed, with/without load | [m/s] | 0,55/0,60 | 0,55/0,60 | 0,53/0,58 |
| 5.4 | Reach speed, with/without load | [m/s] | 0,20/0,28 | 0,20/0,28 | 0,20/0,28 |
| 5.8 | Max. gradeability, with/without load ²⁾ | [%] | 10/15 | 10/15 | 7/12 |
| 5.9 | Acceleration time with/without load (over 10 m) | [s] | 4,9/4,4 | 5,0/4,5 | 5,4/4,7 |
| 5.10 | Service brake | | Electric | Electric | Electric |
| ELECTRIC MOTOR | | | | | |
| 6.1 | Drive motor rating S2 60 min | [kW] | 9 | 9 | 9 |
| 6.2 | Lift motor rating S3 15% | [kW] | --- | --- | --- |
| | Lift motor rating S3 15% (High speed version) | [kW] | 15 | 15 | 15 |
| 6.4 | Battery voltage, nominal capacity K5 | [V/Ah] | 48/620* | 48/620* | 48/775* |
| 6.5 | Battery weight | [kg] | 875* | 875* | 1055* |
| 6.6 | Energy consumption acc to VDI cycle | [kWh/h] | 3.9 | 4.7 | 5.2 |
| 6.7 | Turnover output | [t/h] | 76 | 84 | 105 |
| 6.8 | Energy consumption at turnover output | [kWh/h] | 3.7 | 4.2 | 4.7 |
| OTHER | | | | | |
| 8.1 | Type of drive control | | Variable AC | Variable AC | Variable AC |
| 8.4 | Sound level at the driver's ear according to EN 12 053 | [dB(A)] | 66 | 66 | 66 |

1) 15 mm under studs 2) Measured according to company standard *) Other alternatives are available
All data are based on table configuration. Other configurations may give other values. Truck performance and dimensions are nominal and subject to tolerances. Products and specifications are subject to change without notice.



CESAB R314 - R325 Dimensional Drawings



Battery compartments

| DIMENSIONS | | | R314 | | | R316 | | | |
|---|---------------|--|--------------------|--------------------|-----------|--------------------|--------------------|--------------------|-----------|
| Battery compartment depth | [mm] | | 275 | 347 | 419 | 275 | 347 | 419 | 491 |
| 1.8 Load distance, centre of support arm wheel to face of forks | x [mm] | | 310 ¹⁾ | 238 ¹⁾ | 157 | 394 ¹⁾ | 322 ¹⁾ | 250 ¹⁾ | 169 |
| 4.20 Length to face of forks | l_2 [mm] | | 1263 ²⁾ | 1335 ²⁾ | 1416 | 1263 ²⁾ | 1335 ²⁾ | 1407 ²⁾ | 1488 |
| 4.33 Aisle width for pallets 1000x1200 crossways | A_{st} [mm] | | 2687 | 2743 | 2808 | 2710 | 2762 | 2817 | 2882 |
| 4.34 Aisle width for pallets 800x1200 lengthways | A_{st} [mm] | | 2749 | 2815 | 2890 | 2757 | 2822 | 2888 | 2963 |
| 4.35 Turning Radius | W_s [mm] | | 1573 | 1573 | 1573 | 1657 | 1657 | 1657 | 1657 |
| 6.4 Battery voltage, nominal capacity K5 | [V/Ah] | | 48/465 | 48/620 | 48/775 | 48/465 | 48/620 | 48/775 | 48/930 |
| 6.5 Battery weight, min.—max. | [kg] | | 685-825 | 875-1030 | 1055-1235 | 685-825 | 875-1030 | 1055-1235 | 1025-1440 |

¹⁾ With battery in sleigh - 9 mm

²⁾ With battery in sleigh + 9 mm

| DIMENSIONS | | CESAB R318 | | | CESAB R320 | | | | | | CESAB R325 | | | | | | | | | |
|---|---------------|---------------------------|-----------|-----------|---------------------------|-----------|-----------|---------------------------|-----------|-----------|---------------------------|-----------|-----------|---------------------------|-----------|-----------|-----------|-----------|-----------|-----------|
| MAST TYPE | | TRIPLEX FULL FREELIFT - B | | | TRIPLEX FULL FREELIFT - C | | | TRIPLEX FULL FREELIFT - B | | | TRIPLEX FULL FREELIFT - C | | | TRIPLEX FULL FREELIFT - D | | | | | | |
| Battery compartment depth | [mm] | 347 | 419 | 491 | 347 | 419 | 491 | 347 | 419 | 491 | 347 | 419 | 491 | 419 | 491 | 419 | 491 | | | |
| 1.8 Load distance, centre of support arm wheel to face of forks | x [mm] | 373 | 301 | 229 | 340 | 268 | 196 | 433 | 361 | 289 | 400 | 328 | 256 | 345 | 273 | 201 | 388 | 316 | 333 | 261 |
| 4.20 Length to face of forks | l_2 [mm] | 1344 | 1416 | 1488 | 1377 | 1449 | 1521 | 1344 | 1416 | 1488 | 1377 | 1449 | 1521 | 1432 | 1504 | 1576 | 1449 | 1521 | 1504 | 1576 |
| 4.33 Aisle width for pallets 1000x1200 crossways | A_{st} [mm] | 2785 | 2838 | 2894 | 2809 | 2863 | 2920 | 2802 | 2853 | 2907 | 2825 | 2878 | 2933 | 2865 | 2920 | 2976 | 2894 | 2947 | 2934 | 2989 |
| 4.34 Aisle width for pallets 800x1200 lengthways | A_{st} [mm] | 2836 | 2901 | 2967 | 2865 | 2931 | 2998 | 2842 | 2906 | 2972 | 2871 | 2936 | 3002 | 2921 | 2987 | 3053 | 2942 | 3007 | 2992 | 3058 |
| 4.35 Turning Radius | W_s [mm] | 1717 | 1717 | 1717 | 1717 | 1717 | 1717 | 1777 | 1777 | 1777 | 1777 | 1777 | 1777 | 1777 | 1777 | 1777 | 1837 | 1837 | 1837 | 1837 |
| 6.4 Battery voltage, nominal capacity K5 | [V/Ah] | 620 | 775 | 930 | 620 | 775 | 930 | 620 | 775 | 930 | 620 | 775 | 930 | 620 | 775 | 930 | 775 | 930 | 775 | 930 |
| 6.5 Battery weight, min.—max. | [kg] | 875-1030 | 1055-1235 | 1250-1440 | 875-1030 | 1055-1235 | 1250-1440 | 875-1030 | 1055-1235 | 1250-1440 | 875-1030 | 1055-1235 | 1250-1440 | 875-1030 | 1055-1235 | 1250-1440 | 1055-1235 | 1250-1440 | 1055-1235 | 1250-1440 |

Mast Dimensions

| CESAB R314/316 | | TRIPLEX FULL FREELIFT A | | | | | | | | | | | | | |
|---------------------------|---------------|-------------------------|------|------|------|------|------|------|------|------|------|-------|-------|-------|-------|
| Lift height | h_3 [mm] | 4900 | 5400 | 5700 | 6300 | 7000 | 7250 | 7500 | 8000 | 8500 | 9000 | 9500 | 10000 | 10500 | 11000 |
| 4.4 Lift | h_{23} [mm] | 4845 | 5345 | 5645 | 6245 | 6945 | 7195 | 7445 | 7945 | 8445 | 8945 | 9445 | 9945 | 10445 | 10945 |
| 4.2 Height, mast lowered | h_1 [mm] | 2187 | 2354 | 2454 | 2654 | 2887 | 2971 | 3054 | 3221 | 3387 | 3554 | 3721 | 3887 | 4054 | 4221 |
| 4.3 Free lift | h_2 [mm] | 1703 | 1871 | 1971 | 2171 | 2403 | 2487 | 2571 | 2737 | 2903 | 3071 | 3237 | 3403 | 3571 | 3737 |
| 4.5 Height, mast extended | h_4 [mm] | 5440 | 5941 | 6241 | 6841 | 7540 | 7792 | 8041 | 8542 | 9040 | 9541 | 10042 | 10540 | 11041 | 11542 |

| CESAB R318 | | TRIPLEX FULL FREELIFT B | | | | | | | | | | TRIPLEX FULL FREELIFT C | | | | | | |
|---------------------------|---------------|-------------------------|------|------|------|------|------|------|------|------|-------|-------------------------|-------|-------|-------|-------|-------|-------|
| Lift height | h_3 [mm] | 4850 | 5400 | 5700 | 6300 | 7000 | 7500 | 8000 | 8500 | 9000 | 9500 | 10000 | 10500 | 11000 | 11500 | 12000 | 12500 | 13000 |
| 4.4 Lift | h_{23} [mm] | 4795 | 5345 | 5645 | 6245 | 6945 | 7445 | 7945 | 8445 | 8945 | 9445 | 9945 | 10445 | 10945 | 11445 | 11945 | 12445 | 12945 |
| 4.2 Height, mast lowered | h_1 [mm] | 2249 | 2432 | 2532 | 2732 | 2966 | 3132 | 3299 | 3466 | 3632 | 3799 | 3966 | 4132 | 4299 | 4463 | 4630 | 4797 | 4963 |
| 4.3 Free lift | h_2 [mm] | 1741 | 1925 | 2025 | 2225 | 2459 | 2625 | 2791 | 2959 | 3125 | 3291 | 3459 | 3625 | 3791 | 3949 | 4117 | 4283 | 4449 |
| 4.5 Height, mast extended | h_4 [mm] | 5397 | 5946 | 6246 | 6846 | 7548 | 8046 | 8547 | 9048 | 9546 | 10047 | 10548 | 11046 | 11547 | 12045 | 12546 | 13047 | 13545 |

| CESAB R320 | | TRIPLEX FULL FREELIFT B | | | | | | | | TRIPLEX FULL FREELIFT C | | | TRIPLEX FULL FREELIFT D | | | | | |
|---------------------------|---------------|-------------------------|------|------|------|------|------|------|------|-------------------------|-------|-------|-------------------------|-------|-------|-------|-------|-------|
| Lift height | h_3 [mm] | 4850 | 5400 | 5700 | 6300 | 7000 | 7500 | 8000 | 8500 | 9000 | 9500 | 10000 | 10500 | 11000 | 11500 | 12000 | 12500 | 13000 |
| 4.4 Lift | h_{23} [mm] | 4795 | 5345 | 5645 | 6245 | 6945 | 7445 | 7945 | 8445 | 8945 | 9445 | 9945 | 10445 | 10945 | 11445 | 11945 | 12445 | 12945 |
| 4.2 Height, mast lowered | h_1 [mm] | 2249 | 2432 | 2532 | 2732 | 2966 | 3132 | 3299 | 3466 | 3632 | 3799 | 3963 | 4130 | 4297 | 4463 | 4630 | 4797 | 4963 |
| 4.3 Free lift | h_2 [mm] | 1741 | 1925 | 2025 | 2225 | 2459 | 2625 | 2791 | 2959 | 3125 | 3291 | 3449 | 3617 | 3783 | 3949 | 4117 | 4283 | 4449 |
| 4.5 Height, mast extended | h_4 [mm] | 5397 | 5946 | 6246 | 6846 | 7548 | 8046 | 8547 | 9048 | 9546 | 10047 | 10545 | 11046 | 11547 | 12045 | 12546 | 13047 | 13545 |

| CESAB R325 | | TRIPLEX FULL FREELIFT C | | | | | | | | TRIPLEX FULL FREELIFT D | | | | | | | | |
|---------------------------|---------------|-------------------------|------|------|------|------|------|------|------|-------------------------|-------|-------|-------|-------|-------|-------|-------|-------|
| Lift height | h_3 [mm] | 4850 | 5400 | 5700 | 6300 | 7000 | 7500 | 8000 | 8500 | 9000 | 9500 | 10000 | 10500 | 11000 | 11500 | 12000 | 12500 | 13000 |
| 4.4 Lift | h_{23} [mm] | 4795 | 5345 | 5645 | 6245 | 6945 | 7445 | 7945 | 8445 | 8945 | 9445 | 9945 | 10445 | 10945 | 11445 | 11945 | 12445 | 12945 |
| 4.2 Height, mast lowered | h_1 [mm] | 2247 | 2430 | 2530 | 2730 | 2936 | 3130 | 3297 | 3463 | 3630 | 3797 | 3963 | 4130 | 4297 | 4463 | 4630 | 4797 | 4963 |
| 4.3 Free lift | h_2 [mm] | 1733 | 1917 | 2017 | 2217 | 2449 | 2617 | 2783 | 2949 | 3117 | 3283 | 3449 | 3617 | 3783 | 3949 | 4117 | 4283 | 4449 |
| 4.5 Height, mast extended | h_4 [mm] | 5397 | 5946 | 6246 | 6846 | 7545 | 8046 | 8547 | 9045 | 9546 | 10047 | 10545 | 11046 | 11547 | 12045 | 12546 | 13047 | 13545 |

CESAB R314 - R316 Truck Specification with Cold Store Cabin

| CHARACTERISTICS | | | | |
|------------------|---|----------------------|-----------------------|---------------------|
| 1.1 | Manufacturer | | CESAB | CESAB |
| 1.2 | Model | | R314 | R316 |
| 1.3 | Drive | | Electric | Electric |
| 1.4 | Operator type | | Seated | Seated |
| 1.5 | Load capacity/rated load | Q [kg] | 1400 | 1600 |
| 1.6 | Load centre | c [mm] | 600 | 600 |
| 1.8 | Load distance, centre of support arm wheel to face of forks | x [mm] | 238* | 322* |
| 1.9 | Wheelbase | y [mm] | 1311 | 1395 |
| WEIGHT | | | | |
| 2.1 | Service weight including battery | [kg] | 3760 | 3767 |
| 2.3 | Axle load, mast retracted without load, drive/support arm wheel | [kg] | 2280/1471 | 2353/1414 |
| 2.4 | Axle load, mast extended with load, drive/support arm wheel | [kg] | 967/4193 | 911/4456 |
| 2.5 | Axle load, mast retracted with load, drive/support arm wheel | [kg] | 1902/3257 | 2035/3333 |
| WHEELS | | | | |
| 3.1 | Drive/support arm wheel | [mm] | Vulkollan | Vulkollan |
| 3.2 | Wheel size, front | [mm] | 350x140 | 350x140 |
| 3.3 | Wheel size, rear | [mm] | 300x106 | 300x106 |
| 3.5 | Wheels, number front/rear (x=driven wheels) | | 1x/2 | 1x/2 |
| 3.7 | Track width, rear | b ₁₁ [mm] | 1134 | 1134 |
| DIMENSIONS | | | | |
| 4.1 | Tilt of fork, forward/backward | α/β [deg] | -2°/4** | -2°/4** |
| 4.2 | Height, mast lowered | h ₁ [mm] | 2887* | 2887* |
| 4.3 | Free lift | h ₂ [mm] | 2403* | 2403* |
| 4.4 | Lift | h ₃ [mm] | 6945* | 6945* |
| | Lift height | h ₂₃ [mm] | 7000* | 7000* |
| 4.5 | Height, mast extended | h ₄ [mm] | 7540* | 7540* |
| 4.7 | Height of overhead guard (cab) | h ₆ [mm] | 2200 | 2200 |
| 4.8 | Seat height | h ₇ [mm] | 1136 | 1136 |
| 4.10 | Height of support arms | h ₈ [mm] | 268 | 268 |
| 4.15 | Height of lowered forks | h ₁₃ [mm] | 55 | 55 |
| 4.19 | Overall length | l ₁ [mm] | 2548 | 2548 |
| 4.20 | Length to face of forks | l ₂ [mm] | 1398 | 1398 |
| 4.21 | Overall width | b ₁ [mm] | 1270 | 1270 |
| 4.22 | Fork dimensions | s/e/l [mm] | 40/100/1150* | 40/100/1150* |
| 4.23 | Fork carriage ISO 2328, class/type A, B | | II A | II A |
| 4.24 | Fork carriage width | b ₃ [mm] | 819 | 819 |
| 4.25 | Width over forks | b ₅ [mm] | 252-698 | 252-698 |
| 4.26 | Distance between support arms | b ₄ [mm] | 900* | 900* |
| 4.28 | Reach distance | l ₄ [mm] | 434* | 518* |
| 4.31 | Ground clearance, with load, below mast | m ₁ [mm] | 68 | 68 |
| 4.32 | Ground clearance, centre of wheelbase ²⁾ | m ₂ [mm] | 74 | 74 |
| 4.33 | Aisle width for pallets 1000 x 1200 crossways | A _{st} [mm] | 2802 | 2825 |
| 4.34 | Aisle width for pallets 800 x 1200 lengthways | A _{st} [mm] | 2877 | 2885 |
| 4.35 | Turning radius | W _a [mm] | 1620 | 1720 |
| 4.37 | Length across support arms | l ₇ [mm] | 1807 | 1891 |
| PERFORMANCE DATA | | | | |
| 5.1 | Travel speed, with/without load | [km/h] | 10,3/11 ¹⁾ | 10/11 ¹⁾ |
| 5.2 | Lift speed, with/without load | [m/s] | 0,38/0,68 | 0,36/0,68 |
| | Lift speed, with/without load (High speed version) | [m/s] | - - - | 0,50/0,68 |
| 5.3 | Lowering speed, with/without load | [m/s] | 0,59/0,55 | 0,59/0,55 |
| 5.4 | Reach speed, with/without load | [m/s] | 0,20/0,28 | 0,20/0,28 |
| 5.8 | Max. gradeability, with/without load ³⁾ | [%] | 10/15 | 10/15 |
| 5.10 | Service brake | | Electric | Electric |
| ELECTRIC MOTOR | | | | |
| 6.1 | Drive motor rating S2 60 min | [kW] | 7.5 | 7.5 |
| 6.2 | Lift motor rating S3 15% | [kW] | 11 | 11 |
| | Lift motor rating S3 15% (High speed version) | [kW] | 15 | 15 |
| 6.4 | Battery voltage, nominal capacity K5 | [V/Ah] | 48/620* | 48/620* |
| 6.5 | Battery weight | [kg] | 875* | 875* |
| OTHER | | | | |
| 8.1 | Type of drive control | | Variable AC | Variable AC |

1) 11/11 km/h with support wheel brakes 2) 15 mm under studs 3) Measured according to company standard *) Other alternatives are available

All data are based on table configuration. Other configurations may give other values. Truck performance and dimensions are nominal and subject to tolerances. Products and specifications are subject to change without notice.



CESAB R318 - R325 Truck Specifications with Cold store Cabin

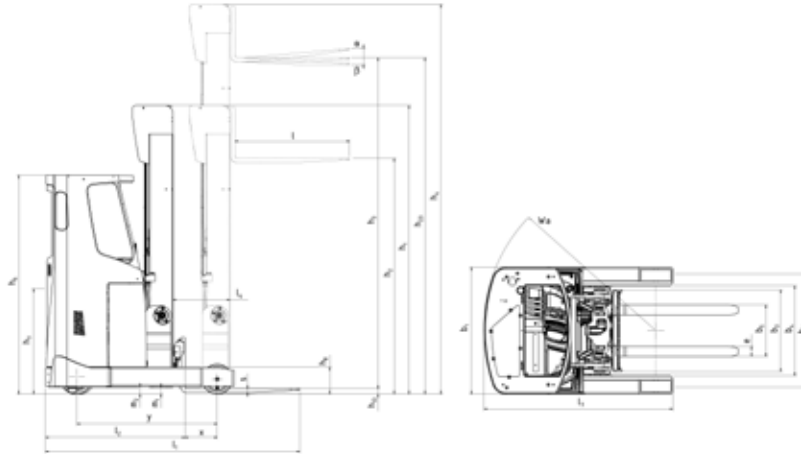
| CHARACTERISTICS | | | | | |
|------------------|---|----------------------|--------------|--------------|--------------|
| 1.1 | Manufacturer | | CESAB | CESAB | CESAB |
| 1.2 | Model | | R318 | R320 | R325 |
| 1.3 | Drive | | Electric | Electric | Electric |
| 1.4 | Operator type | | Seated | Seated | Seated |
| 1.5 | Load capacity/rated load | Q [kg] | 1800 | 2000 | 2500 |
| 1.6 | Load centre | c [mm] | 600 | 600 | 600 |
| 1.8 | Load distance, centre of support arm wheel to face of forks | x [mm] | 373* | 433* | 388* |
| 1.9 | Wheelbase | y [mm] | 1455 | 1515 | 1575 |
| WEIGHT | | | | | |
| 2.1 | Service weight including battery | [kg] | 4033 | 4216 | 4738 |
| 2.3 | Axle load, mast retracted without load, drive/support arm wheel | [kg] | 2518/1515 | 2670/1546 | 2860/1879 |
| 2.4 | Axle load, mast extended with load, drive/support arm wheel | [kg] | 878/4955 | 924/5292 | 879/6359 |
| 2.5 | Axle load, mast retracted with load, drive/support arm wheel | [kg] | 2215/3618 | 2425/3791 | 2497/4741 |
| WHEELS | | | | | |
| 3.1 | Drive/support arm wheel | [mm] | Vulkollan | Vulkollan | Vulkollan |
| 3.2 | Wheel size, front | [mm] | 400x160 | 400x160 | 400x160 |
| 3.3 | Wheel size, rear | [mm] | 350x106 | 350x106 | 350x106 |
| 3.5 | Wheels, number front/rear (x=driven wheels) | | 1x/2 | 1x/2 | 1x/2 |
| 3.7 | Track width, rear | b ₁₁ [mm] | 1134 | 1134 | 1134 |
| DIMENSIONS | | | | | |
| 4.1 | Tilt of fork, forward/backward | α/β [deg] | -2°/4°* | -2°/4°* | -2°/4°* |
| 4.2 | Height, mast lowered | h ₁ [mm] | 2966* | 2966* | 2936* |
| 4.3 | Free lift | h ₂ [mm] | 2459* | 2459* | 2449* |
| 4.4 | Lift | h ₃ [mm] | 6945* | 6945* | 6945* |
| | Lift height | h ₂₃ [mm] | 7000* | 7000* | 7000* |
| 4.5 | Height, mast extended | h ₄ [mm] | 7548* | 7548* | 7545* |
| 4.7 | Height of overhead guard (cab) | h ₆ [mm] | 2263 | 2263 | 2263 |
| 4.8 | Seat height | h ₇ [mm] | 1198 | 1198 | 1198 |
| 4.10 | Height of support arms | h ₈ [mm] | 330 | 330 | 330 |
| 4.15 | Height of lowered forks | h ₁₃ [mm] | 55 | 55 | 55 |
| 4.19 | Overall length | l ₁ [mm] | 2557 | 2557 | 2662 |
| 4.20 | Length to face of forks | l ₂ [mm] | 1407 | 1407 | 1512 |
| 4.21 | Overall width | b ₁ [mm] | 1270 | 1270 | 1270 |
| 4.22 | Fork dimensions | s/e/l [mm] | 40/120/1150* | 40/120/1150* | 45/125/1150* |
| 4.23 | Fork carriage ISO 2328, class/type A, B | | II A | II A | II A |
| 4.24 | Fork carriage width | b ₃ [mm] | 819 | 819 | 819 |
| 4.25 | Width over forks | b ₅ [mm] | 272-718 | 272-718 | 277-723 |
| 4.26 | Distance between support arms | b ₄ [mm] | 900* | 900* | 900* |
| 4.28 | Reach distance | l ₄ [mm] | 594* | 654* | 609* |
| 4.31 | Ground clearance, with load, below mast | m ₁ [mm] | 68 | 68 | 68 |
| 4.32 | Ground clearance, centre of wheelbase ¹⁾ | m ₂ [mm] | 74 | 74 | 74 |
| 4.33 | Aisle width for pallets 1000 x 1200 crossways | A _{st} [mm] | 2848 | 2865 | 2957 |
| 4.34 | Aisle width for pallets 800 x 1200 lengthways | A _{st} [mm] | 2899 | 2905 | 3005 |
| 4.35 | Turning radius | W _a [mm] | 1780 | 1840 | 1900 |
| 4.37 | Length across support arms | l ₇ [mm] | 1976 | 2036 | 2096 |
| PERFORMANCE DATA | | | | | |
| 5.1 | Travel speed, with/without load | [km/h] | 11/11 | 11/11 | 11/11 |
| 5.2 | Lift speed, with/without load | [m/s] | --- | --- | --- |
| | Lift speed, with/without load (High speed version) | [m/s] | 0,46/0,68 | 0,43/0,68 | 0,37/0,64 |
| 5.3 | Lowering speed, with/without load | [m/s] | 0,55/0,60 | 0,55/0,60 | 0,53/0,58 |
| 5.4 | Reach speed, with/without load | [m/s] | 0,20/0,28 | 0,20/0,28 | 0,20/0,28 |
| 5.8 | Max. gradeability, with/without load ²⁾ | [%] | 10/15 | 10/15 | 7/12 |
| 5.9 | Acceleration time with/without load (over 10 m) | [s] | 4,9/4,4 | 5,0/4,5 | 5,4/4,7 |
| 5.10 | Service brake | | Electric | Electric | Electric |
| ELECTRIC MOTOR | | | | | |
| 6.1 | Drive motor rating S2 60 min | [kW] | 9 | 9 | 9 |
| 6.2 | Lift motor rating S3 15% | [kW] | --- | --- | --- |
| | Lift motor rating S3 15% (High speed version) | [kW] | 15 | 15 | 15 |
| 6.4 | Battery voltage, nominal capacity K5 | [V/Ah] | 48/620* | 48/620* | 48/775* |
| 6.5 | Battery weight | [kg] | 875* | 875* | 1055* |
| OTHER | | | | | |
| 8.1 | Type of drive control | | Variable AC | Variable AC | Variable AC |

1) 15 mm under studs 2) Measured according to company standard *) Other alternatives are available

All data are based on table configuration. Other configurations may give other values. Truck performance and dimensions are nominal and subject to tolerances. Products and specifications are subject to change without notice.



CESAB R314 - R325 Dimensional Drawings



Battery compartments

| DIMENSIONS | | | R314 | | | R316 | | |
|---|---------------|--|--------------------|-----------|-----------|--------------------|--------------------|-----------|
| Battery compartment depth | [mm] | | 347 | 419 | 419 | 347 | 419 | 491 |
| 1.8 Load distance, centre of support arm wheel to face of forks | x [mm] | | 238 ¹⁾ | 157 | 157 | 322 ¹⁾ | 250 ¹⁾ | 169 |
| 4.20 Length to face of forks | l_2 [mm] | | 1398 ²⁾ | 1479 | 1416 | 1398 ²⁾ | 1470 ²⁾ | 1551 |
| 4.33 Aisle width for pallets 1000x1200 crossways | A_{st} [mm] | | 2808 | 2873 | 2808 | 2825 | 2880 | 2945 |
| 4.34 Aisle width for pallets 800x1200 lengthways | A_{st} [mm] | | 2880 | 2955 | 2890 | 2885 | 2951 | 3026 |
| 4.35 Turning Radius | W_s [mm] | | 1638 | 1638 | 1573 | 1720 | 1720 | 1720 |
| 6.4 Battery voltage, nominal capacity K5 | [V/Ah] | | 620 | 775 | 48/775 | 620 | 775 | 930 |
| 6.5 Battery weight, min.—max. | [kg] | | 875-1030 | 1055-1235 | 1055-1235 | 875-1030 | 1055-1235 | 1250-1440 |

¹⁾ With battery in sleigh - 9 mm

²⁾ With battery in sleigh + 9 mm

| DIMENSIONS | MAST TYPE | CESAB R318 | | | CESAB R320 | | | | | | CESAB R325 | | | | | | | | | |
|---|---------------|---------------------------|-----------|-----------|---------------------------|-----------|-----------|---------------------------|-----------|-----------|---------------------------|-----------|-----------|---------------------------|-----------|-----------------|-----------|-----------------|-----------|-----------|
| | | TRIPLEX FULL FREELIFT - B | | | TRIPLEX FULL FREELIFT - C | | | TRIPLEX FULL FREELIFT - B | | | TRIPLEX FULL FREELIFT - C | | | TRIPLEX FULL FREELIFT - D | | TRIPLEX FFL - C | | TRIPLEX FFL - D | | |
| Battery compartment depth | [mm] | 347 | 419 | 491 | 347 | 419 | 491 | 347 | 419 | 491 | 347 | 419 | 491 | 419 | 491 | 419 | 491 | 419 | 491 | |
| 1.8 Load distance, centre of support arm wheel to face of forks | x [mm] | 373 | 301 | 229 | 340 | 268 | 196 | 433 | 361 | 289 | 400 | 328 | 256 | 345 | 273 | 201 | 388 | 316 | 333 | 261 |
| 4.20 Length to face of forks | l_2 [mm] | 1344 | 1416 | 1488 | 1377 | 1449 | 1521 | 1344 | 1416 | 1488 | 1377 | 1449 | 1521 | 1432 | 1504 | 1576 | 1449 | 1521 | 1504 | 1576 |
| 4.33 Aisle width for pallets 1000x1200 crossways | A_{st} [mm] | 2848 | 2901 | 2957 | 2872 | 2926 | 2983 | 2865 | 2916 | 2970 | 2888 | 2941 | 2996 | 2928 | 2983 | 3039 | 2957 | 3010 | 2997 | 3052 |
| 4.34 Aisle width for pallets 800x1200 lengthways | A_{st} [mm] | 2899 | 2964 | 3030 | 2928 | 2994 | 3061 | 2905 | 2969 | 3035 | 2934 | 2999 | 3065 | 2984 | 3050 | 3116 | 3005 | 3070 | 3055 | 3121 |
| 4.35 Turning Radius | W_s [mm] | 1780 | 1780 | 1780 | 1780 | 1780 | 1780 | 1840 | 1840 | 1840 | 1840 | 1840 | 1840 | 1840 | 1840 | 1840 | 1900 | 1900 | 1900 | 1900 |
| 6.4 Battery voltage, nominal capacity K5 | [V/Ah] | 620 | 775 | 930 | 620 | 775 | 930 | 620 | 775 | 930 | 620 | 775 | 930 | 620 | 775 | 930 | 775 | 930 | 775 | 930 |
| 6.5 Battery weight, min.—max. | [kg] | 875-1030 | 1055-1235 | 1250-1440 | 875-1030 | 1055-1235 | 1250-1440 | 875-1030 | 1055-1235 | 1250-1440 | 875-1030 | 1055-1235 | 1250-1440 | 875-1030 | 1055-1235 | 1250-1440 | 1055-1235 | 1250-1440 | 1055-1235 | 1250-1440 |

Mast Dimensions

| CESAB R314/316 | | TRIPLEX FULL FREELIFT A | | | | | | | | | | | | | |
|---------------------------|---------------|-------------------------|------|------|------|------|------|------|------|------|------|-------|-------|-------|-------|
| Lift height | h_3 [mm] | 4900 | 5400 | 5700 | 6300 | 7000 | 7250 | 7500 | 8000 | 8500 | 9000 | 9500 | 10000 | 10500 | 11000 |
| 4.4 Lift | h_{23} [mm] | 4845 | 5345 | 5645 | 6245 | 6945 | 7195 | 7445 | 7945 | 8445 | 8945 | 9445 | 9945 | 10445 | 10945 |
| 4.2 Height, mast lowered | h_1 [mm] | 2187 | 2354 | 2454 | 2654 | 2887 | 2971 | 3054 | 3221 | 3387 | 3554 | 3721 | 3887 | 4054 | 4221 |
| 4.3 Free lift | h_2 [mm] | 1703 | 1871 | 1971 | 2171 | 2403 | 2487 | 2571 | 2737 | 2903 | 3071 | 3237 | 3403 | 3571 | 3737 |
| 4.5 Height, mast extended | h_4 [mm] | 5440 | 5941 | 6241 | 6841 | 7540 | 7792 | 8041 | 8542 | 9040 | 9541 | 10042 | 10540 | 11041 | 11542 |

| CESAB R318 | | TRIPLEX FULL FREELIFT B | | | | | | | | | | TRIPLEX FULL FREELIFT C | | | | | | |
|---------------------------|---------------|-------------------------|------|------|------|------|------|------|------|------|-------|-------------------------|-------|-------|-------|-------|-------|-------|
| Lift height | h_3 [mm] | 4850 | 5400 | 5700 | 6300 | 7000 | 7500 | 8000 | 8500 | 9000 | 9500 | 10000 | 10500 | 11000 | 11500 | 12000 | 12500 | 13000 |
| 4.4 Lift | h_{23} [mm] | 4795 | 5345 | 5645 | 6245 | 6945 | 7445 | 7945 | 8445 | 8945 | 9445 | 9945 | 10445 | 10945 | 11445 | 11945 | 12445 | 12945 |
| 4.2 Height, mast lowered | h_1 [mm] | 2249 | 2432 | 2532 | 2732 | 2966 | 3132 | 3299 | 3466 | 3632 | 3799 | 3966 | 4132 | 4299 | 4463 | 4630 | 4797 | 4963 |
| 4.3 Free lift | h_2 [mm] | 1741 | 1925 | 2025 | 2225 | 2459 | 2625 | 2791 | 2959 | 3125 | 3291 | 3459 | 3625 | 3791 | 3949 | 4117 | 4283 | 4449 |
| 4.5 Height, mast extended | h_4 [mm] | 5397 | 5946 | 6246 | 6846 | 7548 | 8046 | 8547 | 9048 | 9546 | 10047 | 10548 | 11046 | 11547 | 12045 | 12546 | 13047 | 13545 |

| CESAB R320 | | TRIPLEX FULL FREELIFT B | | | | | | | | | | TRIPLEX FULL FREELIFT C | | | TRIPLEX FULL FREELIFT D | | | |
|---------------------------|---------------|-------------------------|------|------|------|------|------|------|------|------|-------|-------------------------|-------|-------|-------------------------|-------|-------|-------|
| Lift height | h_3 [mm] | 4850 | 5400 | 5700 | 6300 | 7000 | 7500 | 8000 | 8500 | 9000 | 9500 | 10000 | 10500 | 11000 | 11500 | 12000 | 12500 | 13000 |
| 4.4 Lift | h_{23} [mm] | 4795 | 5345 | 5645 | 6245 | 6945 | 7445 | 7945 | 8445 | 8945 | 9445 | 9945 | 10445 | 10945 | 11445 | 11945 | 12445 | 12945 |
| 4.2 Height, mast lowered | h_1 [mm] | 2249 | 2432 | 2532 | 2732 | 2966 | 3132 | 3299 | 3466 | 3632 | 3799 | 3963 | 4130 | 4297 | 4463 | 4630 | 4797 | 4963 |
| 4.3 Free lift | h_2 [mm] | 1741 | 1925 | 2025 | 2225 | 2459 | 2625 | 2791 | 2959 | 3125 | 3291 | 3449 | 3617 | 3783 | 3949 | 4117 | 4283 | 4449 |
| 4.5 Height, mast extended | h_4 [mm] | 5397 | 5946 | 6246 | 6846 | 7548 | 8046 | 8547 | 9048 | 9546 | 10047 | 10545 | 11046 | 11547 | 12045 | 12546 | 13047 | 13545 |

| CESAB R325 | | TRIPLEX FULL FREELIFT C | | | | | | | | | | TRIPLEX FULL FREELIFT D | | | | | | |
|---------------------------|---------------|-------------------------|------|------|------|------|------|------|------|------|-------|-------------------------|-------|-------|-------|-------|-------|-------|
| Lift height | h_3 [mm] | 4850 | 5400 | 5700 | 6300 | 7000 | 7500 | 8000 | 8500 | 9000 | 9500 | 10000 | 10500 | 11000 | 11500 | 12000 | 12500 | 13000 |
| 4.4 Lift | h_{23} [mm] | 4795 | 5345 | 5645 | 6245 | 6945 | 7445 | 7945 | 8445 | 8945 | 9445 | 9945 | 10445 | 10945 | 11445 | 11945 | 12445 | 12945 |
| 4.2 Height, mast lowered | h_1 [mm] | 2247 | 2430 | 2530 | 2730 | 2936 | 3130 | 3297 | 3463 | 3630 | 3797 | 3963 | 4130 | 4297 | 4463 | 4630 | 4797 | 4963 |
| 4.3 Free lift | h_2 [mm] | 1733 | 1917 | 2017 | 2217 | 2449 | 2617 | 2783 | 2949 | 3117 | 3283 | 3449 | 3617 | 3783 | 3949 | 4117 | 4283 | 4449 |
| 4.5 Height, mast extended | h_4 [mm] | 5397 | 5946 | 6246 | 6846 | 7545 | 8046 | 8547 | 9045 | 9546 | 10047 | 10545 | 11046 | 11547 | 12045 | 12546 | 13047 | 13545 |

The data in this specification sheet was determined based on our standard testing conditions. Operating performance may vary depending on the actual specification and condition of the truck as well as the condition of the operating area. Availability and specifications are determined regionally and are subject to change without notice. Please consult your authorised CESAB dealership for further details. SPEC_R300_EN_2017 / P&B R300 V36 – Copyright CESAB Material Handling Europe.

